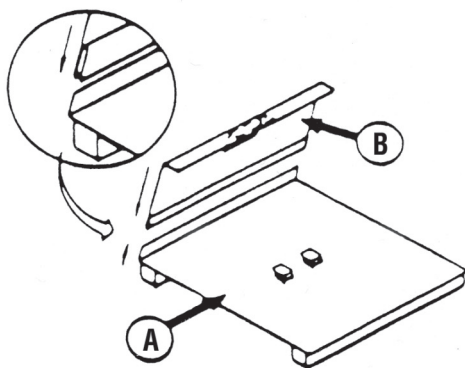


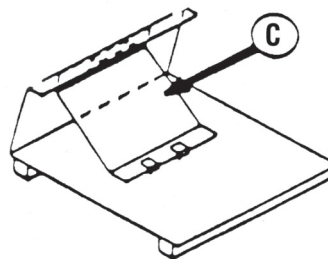


Catalog Rack

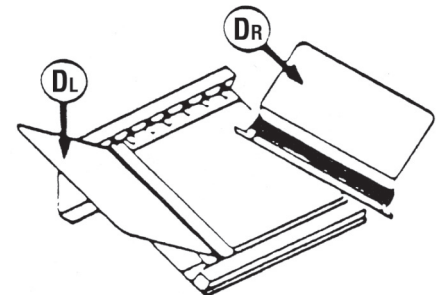
1. Turn base of catalog rack "A" bottom side up.
2. Insert lip of base "A" into groove of support leg "B", see illustration #1.
3. Slide braces "C" in from the side of the base into tabs of the base and support leg, push until brace snaps into place, see illustration #2
4. Turn assembled base right side up.
5. If catalog rack will be used to its full capacity, insert wing supports "D" into the 2nd full hole from the end, with the long tab of the wing support into the top of the base first, then the short tab of the wing support into the bottom. Note: There is a left and right-hand wing support. See illustration #3
6. If you are not using catalog rack to its full capacity at this time you may insert the wings in any of the holes that best suit your needs. Refer to step 5 for wing installation instructions.



#1



#2



#3

Allstar Performance 8300 Lane Drive, Watervliet MI 49098
Phone: (269) 463-8000 Fax: (800) 772-2618 www.allstarperformance.com